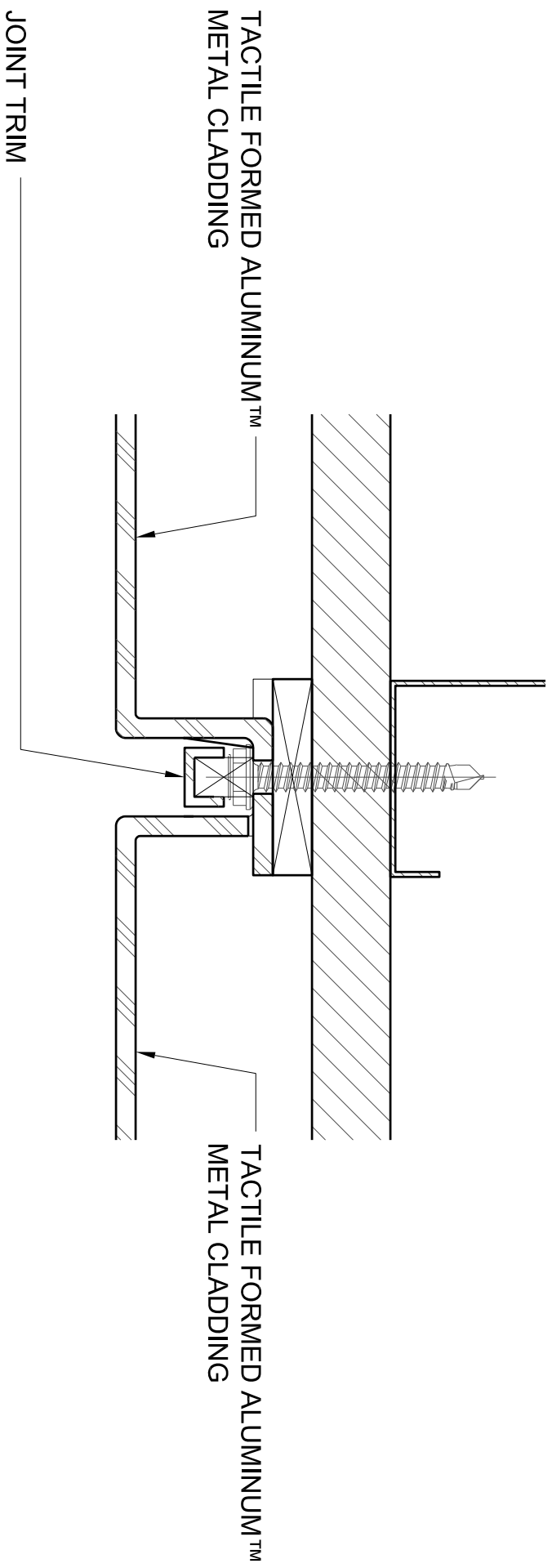


1

Isometric - Detail Map - Tactile Formed Aluminum™ Metal Cladding  
 Scale : Not to Scale

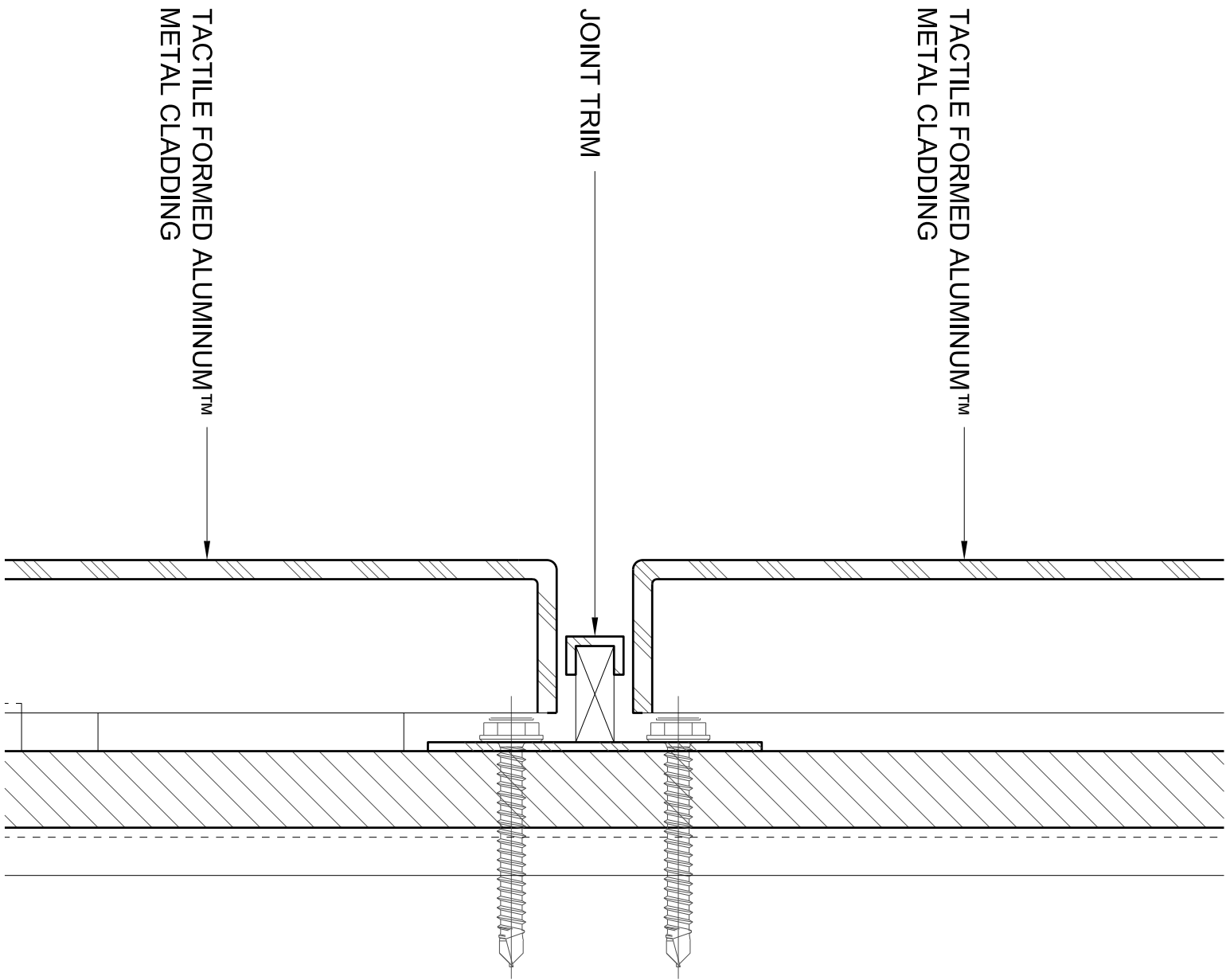
SHEET NO. M-00	REVISIONS				PROJECT#	ARCHITECT	CLIENT
SCALE AS NOTED	REV	DESCRIPTION	DATE	APPROVED	Tactile Formed Aluminum™ Metal Cladding Details Interior Cladding		
DRAWN BY AM							
APPROVED BY SE							
ISSUE DATE 05/27/2020							



1

Plan - Typical Vertical Joint - Tactile Formed Aluminum™ Metal Cladding  
Scale : 1=1

SHEET NO.	M-01	REVISIONS				PROJECT#	ARCHITECT	CLIENT
SCALE	AS NOTED	REV	DESCRIPTION	DATE	APPROVED	Tactile Formed Aluminum™ Metal Cladding Details Interior Cladding		
DRAWN BY	AM							
APPROVED BY	SE							
ISSUE DATE	05/27/2020							

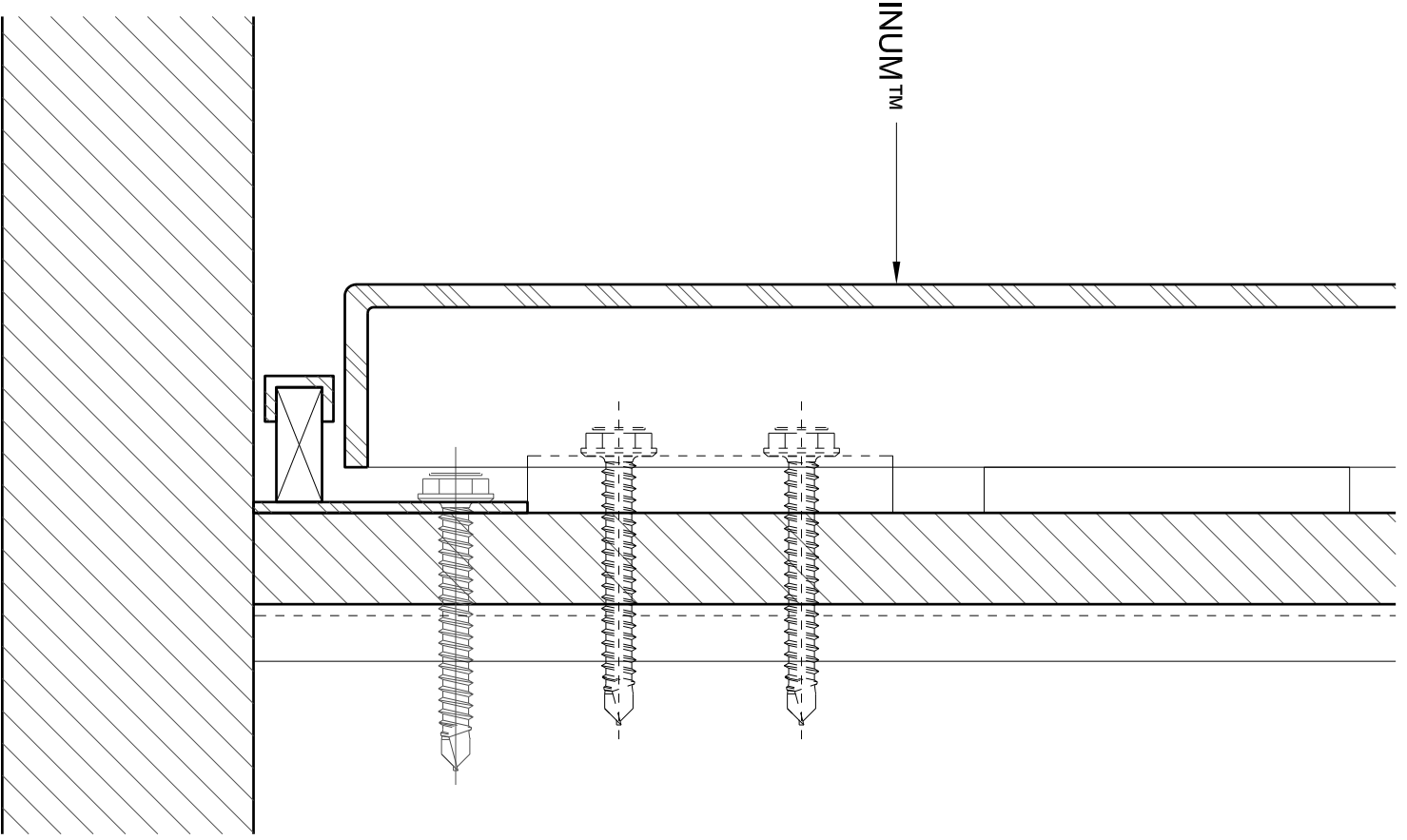


1

Section - Typical Horizontal Joint - Tactile Formed Aluminum™ Metal Cladding  
 Scale : 1=1

SHEET NO. M-02	REVISIONS				PROJECT#	ARCHITECT	CLIENT
SCALE AS NOTED	REV	DESCRIPTION	DATE	APPROVED	Tactile Formed Aluminum™ Metal Cladding Details Interior Cladding		
DRAWN BY AM							
APPROVED BY SE							
ISSUE DATE 05/27/2020							

TACTILE FORMED ALUMINUM™  
METAL CLADDING



1

Section - Sill Detail - Tactile Formed Aluminum™ Metal Cladding  
Scale : 1=1

SHEET NO.	REVISIONS				PROJECT#	ARCHITECT	CLIENT
SCALE	REV	DESCRIPTION	DATE	APPROVED	Tactile Formed Aluminum™ Metal Cladding Details Interior Cladding		
M-03							
AS NOTED							
05/27/2020							
DRAWN BY							
APPROVED BY							

